

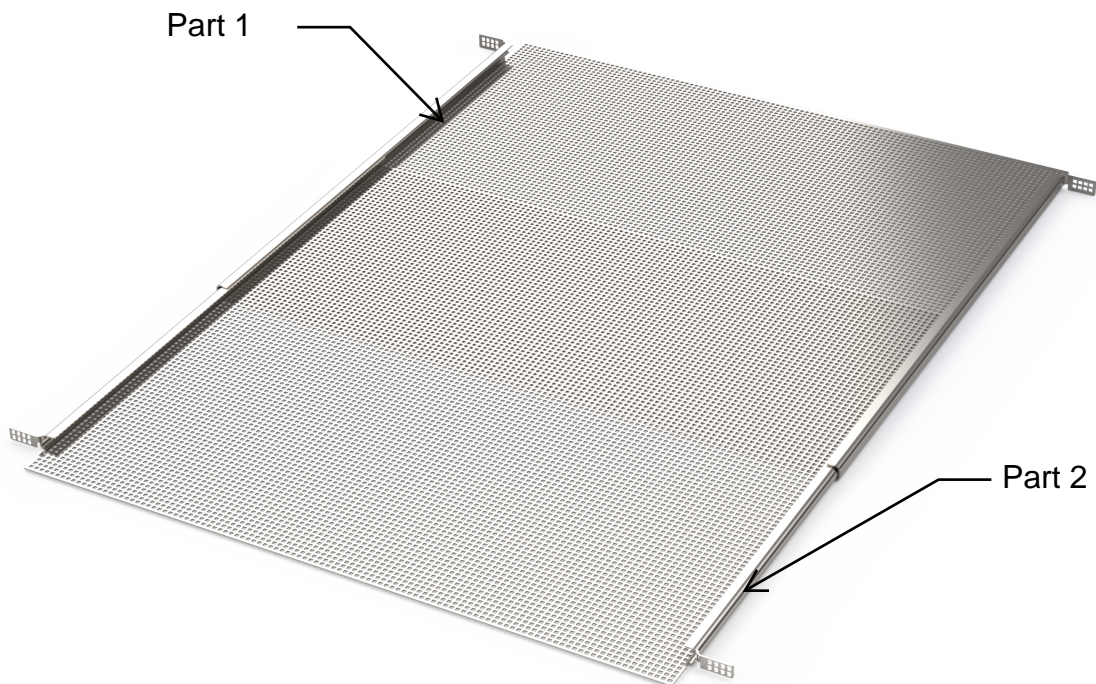
BOX STRAP

WHERE INNOVATION BEGINS

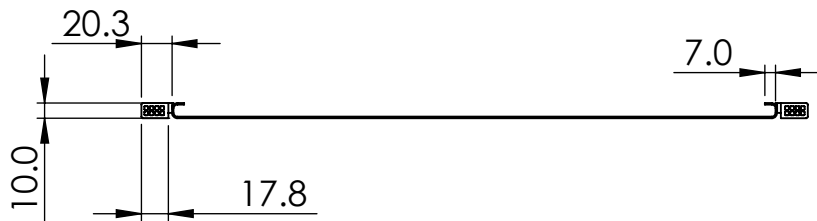
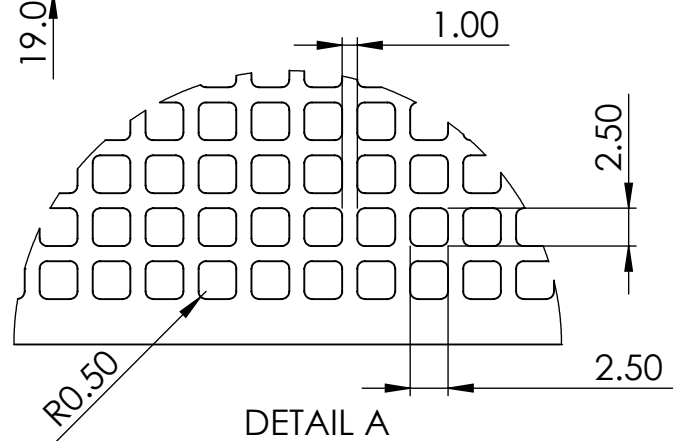
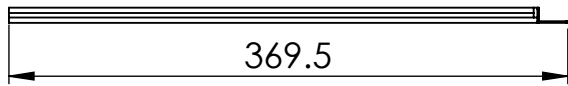
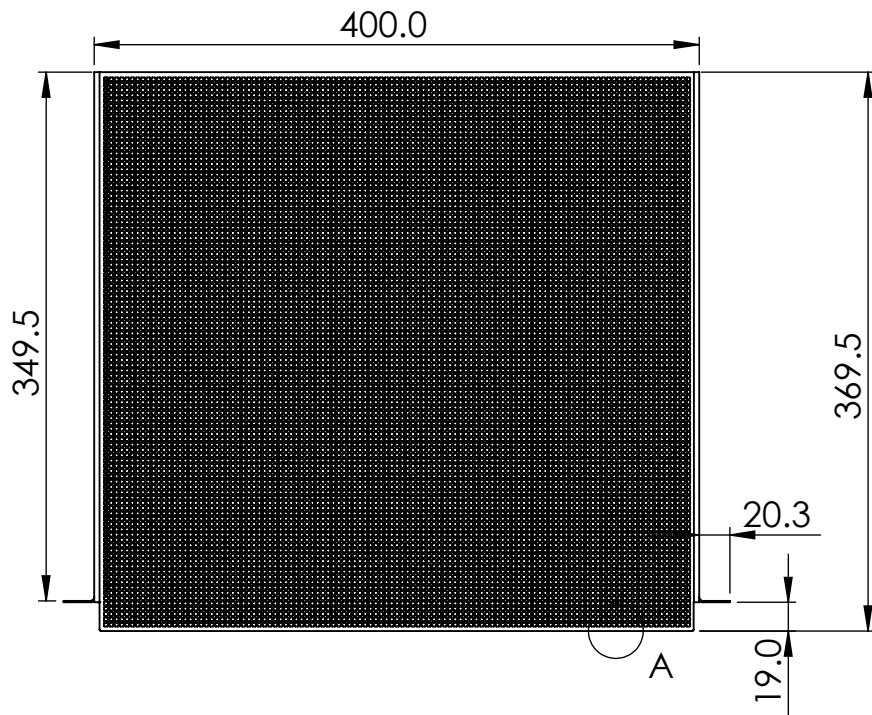
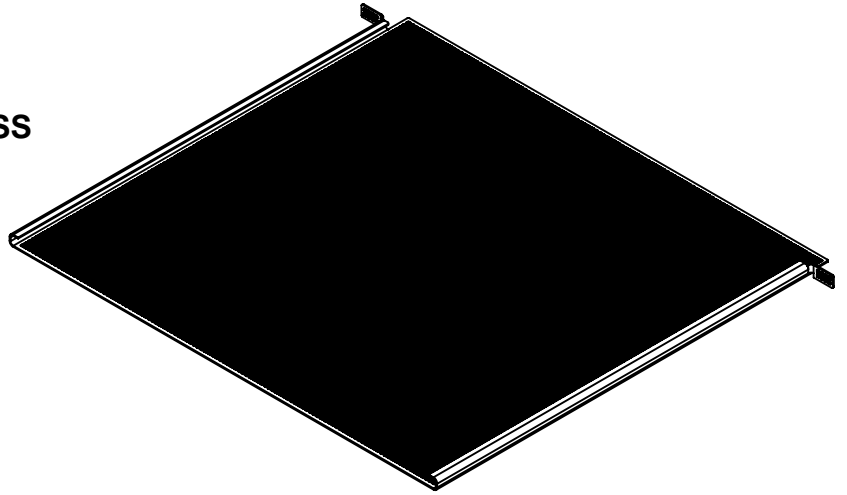
Specification

Brand	Box Strap
Part No	090818
Type	Metal Pattress
Dimensions	Part 1 H 10 mm x W 400 mm x L 369.5 mm Part 2 H 7.7 mm x W 397.4 mm x L 366 mm
Inner Length	Part 1 L 369.5mm Part 2 L 366mm
Inner Height	Part 1 H 10mm Part 2 H 7.7mm
Inner Width	Part 1 W 400mm Part 2 397.4mm
Telescopic Range	400mm to 600mm Stud centres
Material Thickness	1mm
Material	Pre Galvanised steel
Packeging type	Bundle of 10 pairs
Weight	Part 1 1.091kg Part 2 1.073kg
Steel specification	DX54 + Z100 to EN10346-2015

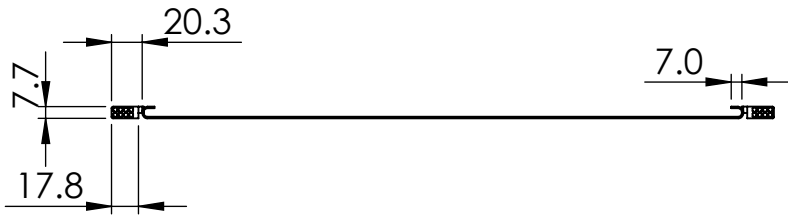
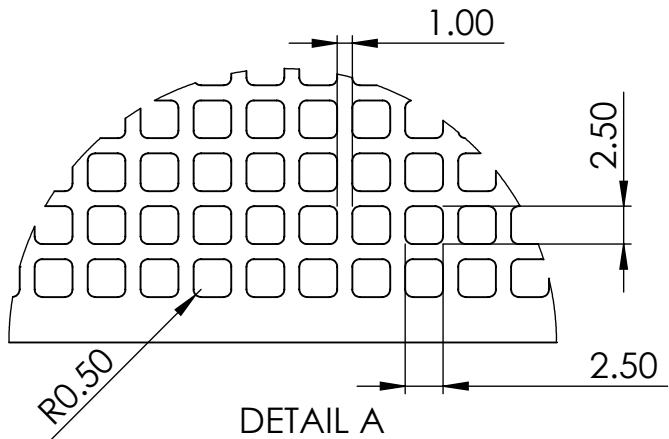
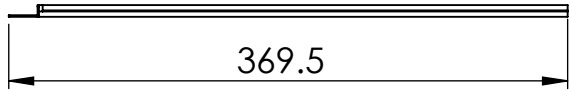
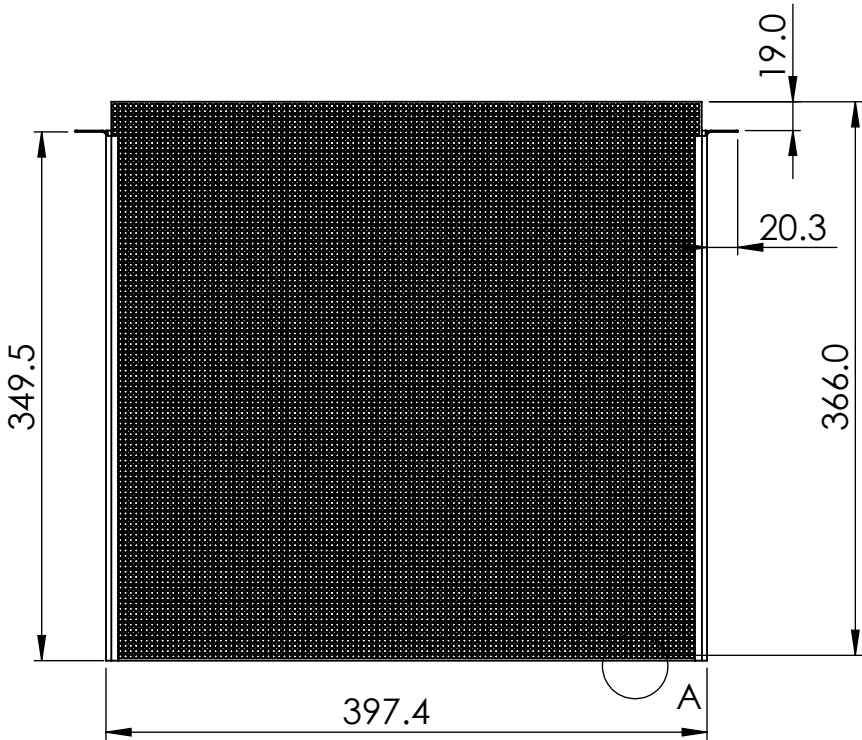
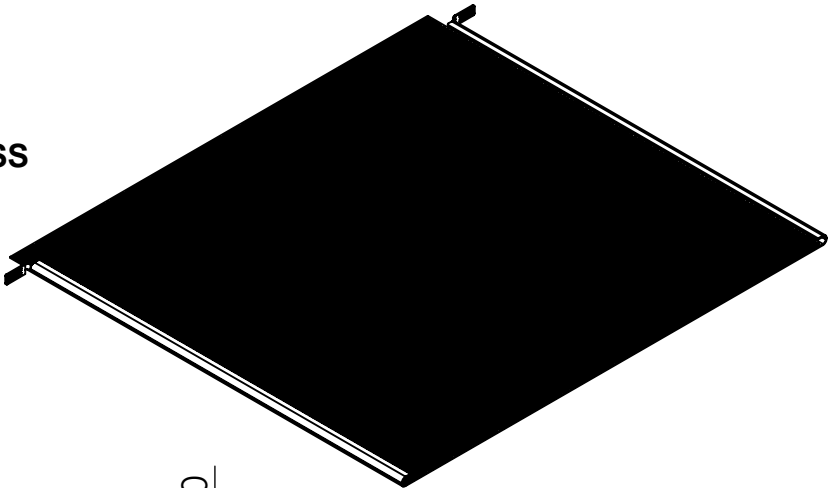
ADJUSTABLE METAL PATTRESS



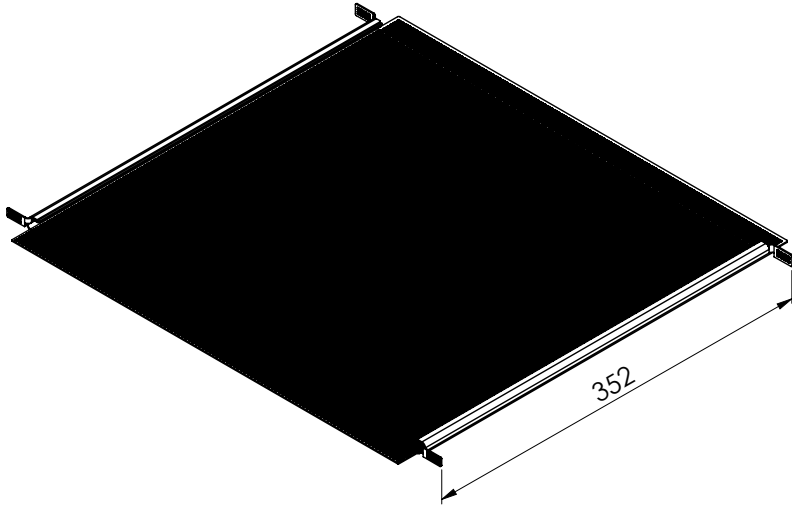
PART 1
ADJUSTABLE METAL PATTRESS



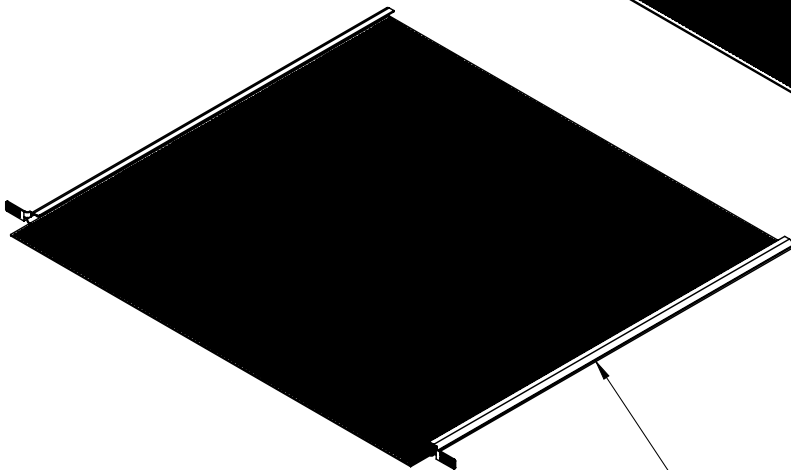
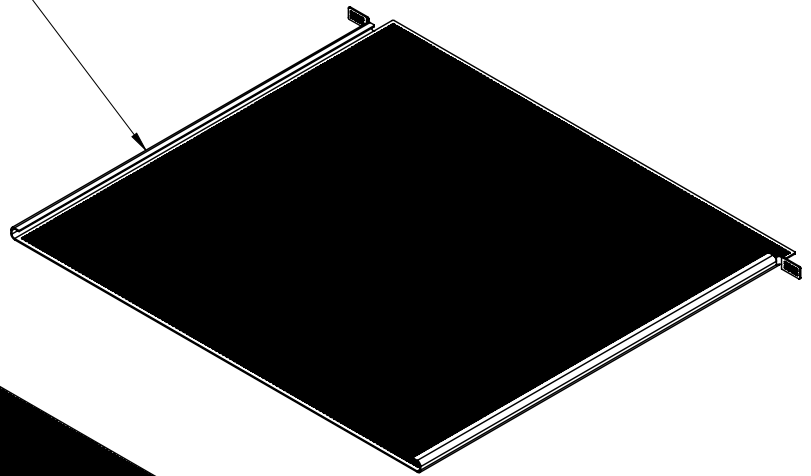
**PART 2
ADJUSTABLE METAL PATTRESS**



ADJUSTABLE METAL PATTRESS



1



2