

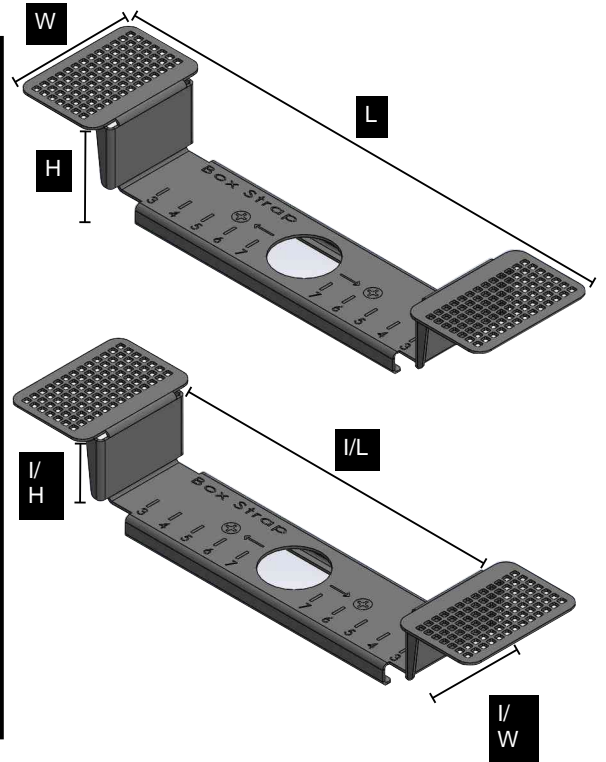
# BOX STRAP

WHERE INNOVATION BEGINS



## Specification

Brand	Box Strap
Part No:	220514
Dimensions	H 34 mm x W 50 mm x L 207 mm
Inner Length	I/L 135 mm
Inner Height	I/H 26 mm
Inner Width	I/W 36 mm
Face Plates	36 mm x 50mm
Material Thickness	1mm
Material	Pre Galvanised steel
Packaging type	Bundle of 50 units
Weight	0.082kg
Steel specification	DX54 + Z100 to EN10346-2015
Single layer pull test	40kg - Refer to ADA fixings report
Double layer pull test	80kg - Refer to ADA fixings report
Manufactured to	ISO9001-2015



30mm Plasterboard - 80kg

15mm Plasterboard - 40kg

